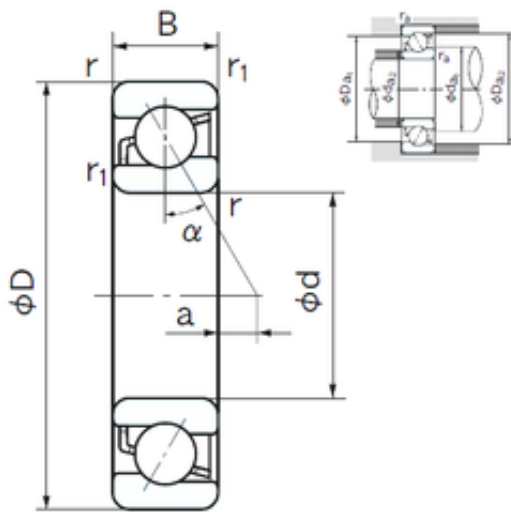




# BEARING DRIVESHAFT ANDERSON, INC.



45 mm x 100 mm x 25 mm NACHI 7309  
Angular contact ball bearing

Bearing No. 7309

7309 Bearing 2D drawings and 3D CAD models

Size	45x100x25 mm
Bore Diameter	45 mm
Outer Diameter	100 mm
Width	25 mm
d	45 mm
D	100 mm
B	25 mm
C	25 mm
Angle ( ° )	30 °
a	8.4 mm
r min.	1.5 mm
r1 min.	1 mm
da min.	54 mm
Da max.	91 mm
ra max.	1.5 mm
Weight	0.875 Kg
Basic dynamic load rating (C)	63,5 kN
Basic static load rating (C0)	43,5 kN
(Grease) Lubrication Speed	6300 r/min
Configuration	Single Row
Enclosure	Open
Bore Type	Cylindrical Bore
Bore Size	45 mm
Outside Diameter	100 mm
Width	25 mm



## BEARING DRIVESHAFT ANDERSON, INC.

Fillet Radius/Chamfer	1.5 mm
r1	1 mm
Dynamic Load Rating	63,500 N
Static Load Rating	43,500 N
Limiting Speed - Grease	6,300 rpm
Limiting Speed - Oil	8,500 rpm
da1 (min)	54 mm
da2 (min)	50 mm
Da1 (max)	91 mm
Da2 (max)	94.6 mm
ra (max)	1.5 mm
ra1 (max)	1 mm