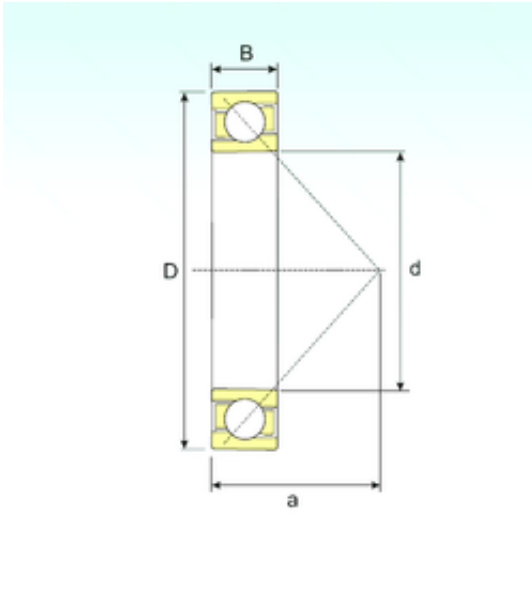




## BEARING DRIVESHAFT ANDERSON, INC.



7256 B Bearing 2D drawings and 3D CAD models

280 mm x 500 mm x 80 mm ISB 7256 B Angular contact ball bearing

Bearing No. 7256 B

Size	280x500x80 mm
Bore Diameter	280 mm
Outer Diameter	500 mm
Width	80 mm
d	280 mm
D	500 mm
B	80 mm
C	80 mm
a	205 mm
Weight	69,5 Kg
Basic dynamic load rating (C)	442 kN
Basic static load rating (C0)	550 kN
(Grease) Lubrication Speed	800 r/min