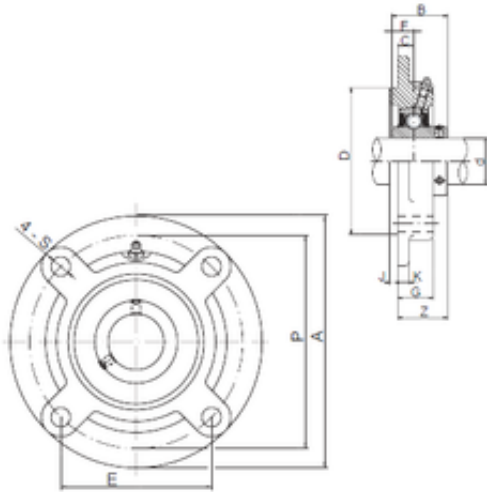




BEARING DRIVESHAFT ANDERSON, INC.

45 mm x 105 mm x 49,2 mm ISO UCFC209
Bearing unit

Bearing No. UCFC209



UCFC209 Bearing 2D drawings and 3D CAD models

| | |
|---------------|---------|
| Bore Diameter | 45 mm |
| d | 45 mm |
| P | 132 mm |
| Z | 40,2 mm |
| A | 160 mm |
| B | 49,2 mm |
| C | 10 mm |
| D | 105 mm |
| E | 93,3 mm |
| F | 19 mm |
| G | 26 mm |
| J | 12 mm |
| K | 14 mm |
| S | 16 mm |
| Bolt (G) | M14 |