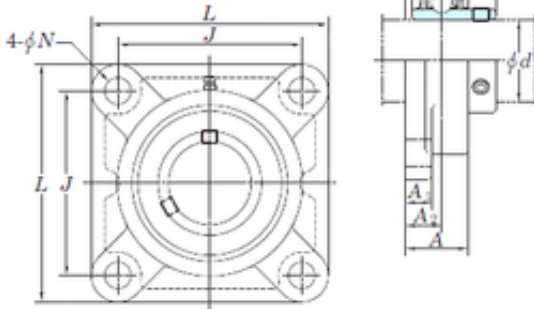




# BEARING DRIVESHAFT ANDERSON, INC.

## KOYO UCF324 Bearing unit

Bearing No. UCF324



UCF324 Bearing 2D drawings and 3D CAD models

Bore Diameter	120 mm
d	120 mm
A0	140 mm
A	110 mm
A1	40 mm
B	126 mm
J	290 mm
L	370 mm
N	41 mm
S	51 mm
Bolt (G)	M36
A2	65 mm
Weight	47,3 Kg
Basic dynamic load rating (C)	207 kN
Basic static load rating (C0)	185 kN
Bearing No.	UCF324
Bolt size	M36
Cr	207
C0r	185
f0	13.5
(Refer.)Unit mass(kg)	47.3
Nipple size	R1/8