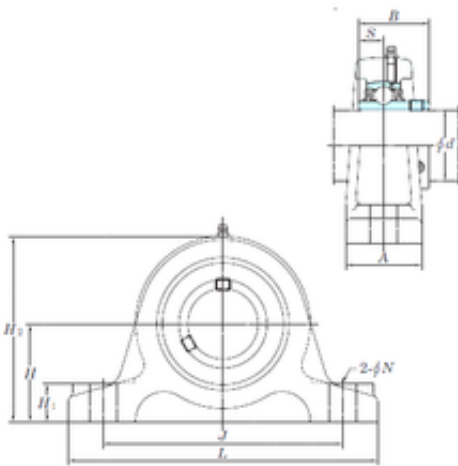




# BEARING DRIVESHAFT ANDERSON, INC.

## KOYO UCIP212 Bearing unit

Bearing No. UCIP212



UCIP212 Bearing 2D drawings and 3D CAD models

Bore Diameter	60 mm
Width	65,1 mm
d	60 mm
A	70 mm
B	65,1 mm
H	80 mm
H1	30 mm
H2	155 mm
J	200 mm
L	260 mm
N	22 mm
S	25,4 mm
Bolt (G)	M20
Weight	7,2 Kg
Basic dynamic load rating (C)	52,4 kN
Basic static load rating (C0)	36,2 kN
Bearing No.	UCIP212
Bolt size	M20
Cr	52.4
C0r	36.2
f0	14.4
(Refer.) Unit mass(kg)	7.2
Nipple size	R1/8