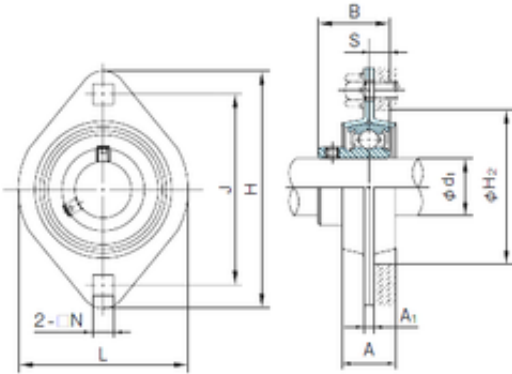




BEARING DRIVESHAFT ANDERSON, INC.

NACHI BPFL3 Bearing unit

Bearing No. BPFL3



BPFL3 Bearing 2D drawings and 3D CAD models

Bore Diameter	17 mm
d	17 mm
H	81 mm
A	14 mm
A1	4 mm
B	22 mm
H2	49 mm
J	63.5 mm
L	59 mm
N	7 mm
S	6 mm
Bolt (G)	M6