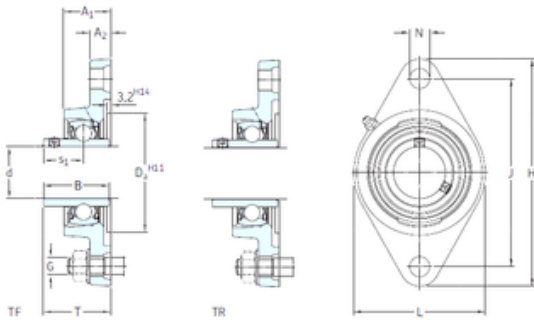




# BEARING DRIVESHAFT ANDERSON, INC.

## SKF FYTB 30 TF Bearing unit



Bearing No. FYTB 30 TF

Bore Diameter	30 mm
d	30 mm
Da	76,2 mm
s1	22,2 mm
A1	32,5 mm
B	38,1 mm
G	10 mm
H	141,5 mm
J	116,5 mm
L	83 mm
N	11,5 mm
T	42,2 mm
A2	13 mm
Weight	0,93 Kg
Basic dynamic load rating (C)	19,5 kN
Basic static load rating (C0)	11,2 kN
Fatigue load limit (Pu)	0,475
Category	Flange Block Bearings
Inventory	0.0
Manufacturer Name	SKF
Minimum Buy Quantity	N/A
Weight / Kilogram	0.93
EAN	7316577030993
Product Group	M06110
Number of Mounting Holes	2
Mounting Method	Set Screw

FYTB 30 TF Bearing 2D drawings and 3D CAD models



## BEARING DRIVESHAFT ANDERSON, INC.

Housing Style	2 Bolt Flange Block
Rolling Element	Ball Bearing
Housing Material	Cast Iron
Expansion / Non-expansion	Non-expansion
Mounting Bolts	10 Millimeter
Relubricatable	Yes
Insert Part Number	YAR 206-2F
Seals	M Seal
Housing Configuration	1 Piece Solid
Pilot Configuration	No Pilot
Inch - Metric	Metric
Long Description	2 Bolt Flange Block; 30MM Bore; 117MM Bolt Circle; 116.5MM Bolt Spacing; 1 Piece Solid; Set Screw Mount; Cast Iron; Ball Bearing; 38.1MM Length Thru Bore; Relubricatable; M Seal Seals
Other Features	Single Row   Standard Duty   Wide Inner Race   Open End   Has Flinger   Y Bearing
Category	Flange Block
UNSPSC	31171501
Harmonized Tariff Code	8483.20.40.40
Noun	Bearing
Keyword String	Flanged
Manufacturer URL	<a href="http://www.skf.com">http://www.skf.com</a>
Manufacturer Item Number	FYTB 30 TF
Weight / LBS	2.05
Bore	1.181 Inch   30 Millimeter
Bolt Spacing	4.587 Inch   116.5 Millimeter
Length Thru Bore	1.5 Inch   38.1 Millimeter



## BEARING DRIVESHAFT ANDERSON, INC.

Cartridge Pilot Diameter	0 Inch   0 Millimeter
Cartridge Pilot Depth	0 Inch   0 Millimeter
Nominal Bolt Circle Diameter Round	4.6 Inch   117 Millimeter
bore diameter:	30 mm
radial static load capacity:	11.2 kN
bolt center-to-center length:	116.50 mm
seal type:	Contact with Flinger
overall length/diameter:	83 mm
length through bore:	42.2 mm
bore type:	Round
operating temperature range:	Maximum of +110 ° F
duty type:	Standard Duty
finish/coating:	Uncoated
mounting type:	Two-Bolt Flange
maximum rpm:	6300 RPM
housing material:	Cast Iron
lubrication type:	Lubrication Fitting
locking device:	Set Screw
series:	FYTB
expansion type:	Non-Expansion Bearing (Fixed)
replacement bearing:	YAR 206-2F
radial dynamic load capacity:	19.5 kN
manufacturer upc number:	7316577030993
Housing material	Cast iron
$D_a$	76.2 mm
$D_{b1}$	77 mm
$D_{b2}$	83 mm
A	32.5 mm
$A_1$	13 mm



## BEARING DRIVESHAFT ANDERSON, INC.

A <sub>3</sub>	3.2 mm
A <sub>5</sub>	20 mm
B <sub>4</sub>	5 mm
s <sub>1</sub>	22.2 mm
R <sub>G</sub>	1/4-28 UNF
R <sub>1</sub>	21 mm
R	45 °
D <sub>N</sub>	6.5 mm
SW <sub>N</sub>	7 mm
G <sub>N</sub>	1/4-28 SAE-LT
J <sub>6</sub>	98.5 mm
J <sub>7</sub>	12.5 mm
N <sub>4</sub>	2 mm
Basic dynamic load rating C	19.5 kN
Basic static load rating C <sub>0</sub>	11.2 kN
Fatigue load limit P <sub>u</sub>	0.475 kN
Limiting speed	6300 r/min
Mass bearing unit	0.84 kg
Thread grub screw G <sub>2</sub>	M6x0.75
Hexagonal key size for grub screw N	3 mm
Recommended tightening torque for grub screw	4 N · m
Recommended diameter for attachment bolts, mm G	10 mm
Recommended diameter for attachment bolts, inch G	0.375 in