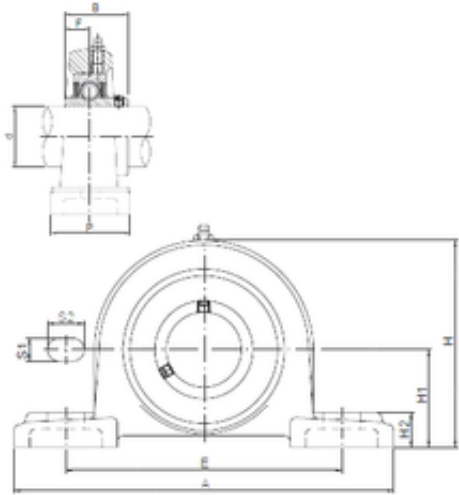




# BEARING DRIVESHAFT ANDERSON, INC.



## ISO UCP313 Bearing unit

Bearing No. UCP313

Bore Diameter	65 mm
d	65 mm
S1	25 mm
P	90 mm
A	340 mm
B	75 mm
E	260 mm
F	30 mm
H	176 mm
H1	90 mm
H2	33 mm
S2	38 mm
Bolt (G)	M20

UCP313 Bearing 2D drawings and 3D CAD models