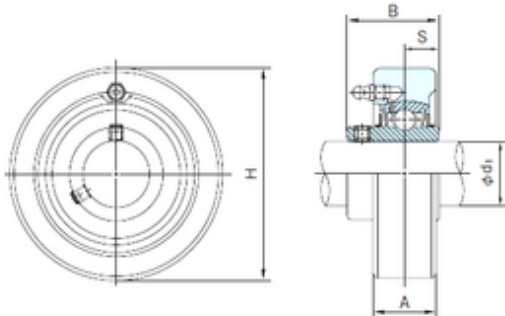




# BEARING DRIVESHAFT ANDERSON, INC.

## NACHI UCC211 Bearing unit



Bearing No. UCC211

Bore Diameter	55 mm
Width	55.6 mm
d	55 mm
A	35 mm
B	55.6 mm
H	125 mm
S	22.2 mm

UCC211 Bearing 2D drawings and 3D CAD models