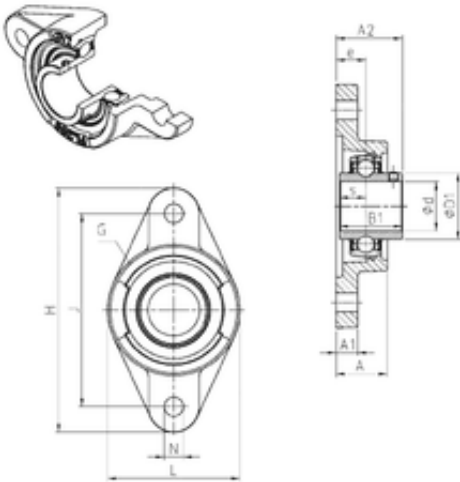




BEARING DRIVESHAFT ANDERSON, INC.



SNR UCFL213 Bearing unit

Bearing No. UCFL213

Bore Diameter	65 mm
d	65 mm
e	30 mm
s	25,4 mm
A	50 mm
A1	20 mm
B1	65,1 mm
D1	82 mm
H	258 mm
J	210 mm
L	155 mm
N	23 mm
Thread (G)	M6x1
A2	69,7 mm
Weight	4,8 Kg
Basic dynamic load rating (C)	57,2 kN

UCFL213 Bearing 2D drawings and 3D CAD models