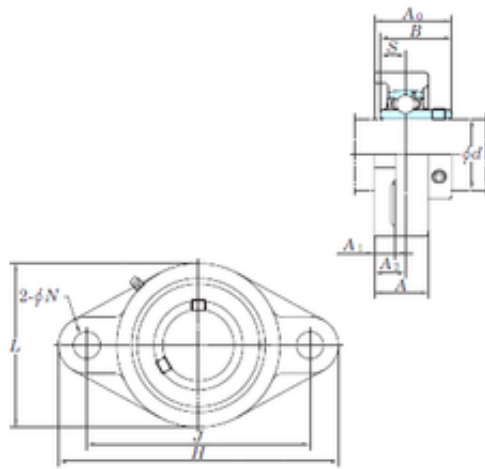




# BEARING DRIVESHAFT ANDERSON, INC.



## KOYO UCFL306 Bearing unit

Bearing No. UCFL306

Bore Diameter	30 mm
d	30 mm
A0	44 mm
A	32 mm
A1	15 mm
B	43 mm
H	180 mm
J	134 mm
L	90 mm
N	23 mm
S	17 mm
A2	18 mm
Weight	1,5 Kg
Basic static load rating (C0)	26,7 kN
Bearing No.	UCFL306
Bolt size	M20
Cr	26.7
C0r	15.0
f0	13.3
(Refer.)Unit mass(kg)	1.5
Nipple size	1/4-28UNF

UCFL306 Bearing 2D drawings and 3D CAD models