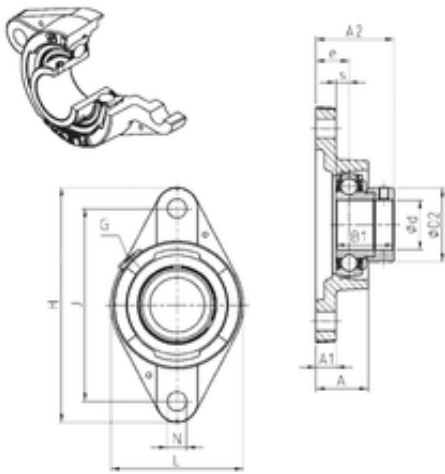




BEARING DRIVESHAFT ANDERSON, INC.



SNR ESFLE203 Bearing unit

Bearing No. ESFLE203

Bore Diameter	17 mm
d	17 mm
e	19 mm
s	6,5 mm
A	30,3 mm
A1	10 mm
B1	28,6 mm
D2	28,6 mm
H	112 mm
J	90 mm
L	61 mm
N	11,5 mm
Thread (G)	R1/8"
A2	35 mm
Weight	0,4 Kg
Basic dynamic load rating (C)	9,55 kN

ESFLE203 Bearing 2D drawings and 3D CAD models