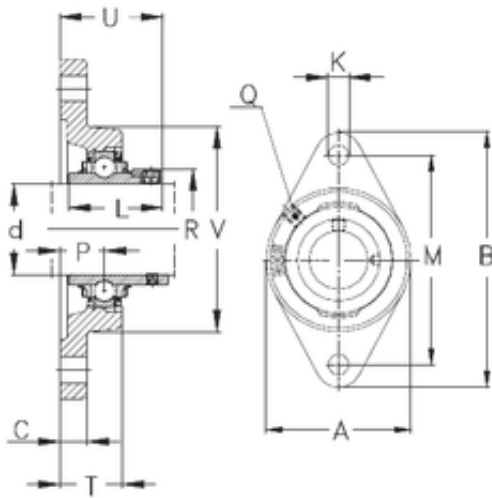




# BEARING DRIVESHAFT ANDERSON, INC.

## NKE RCJT20-N Bearing unit

Bearing No. RCJT20-N



RCJT20-N Bearing 2D drawings and 3D CAD models

Bore Diameter	20 mm
d	20 mm
P	19 mm
V	61 mm
U	45,6 mm
K	11,5 mm
A	61 mm
B	112 mm
C	10 mm
L	43,7 mm
M	90 mm
R	33 mm
T	28 mm
Thread (G)	R1/8 "