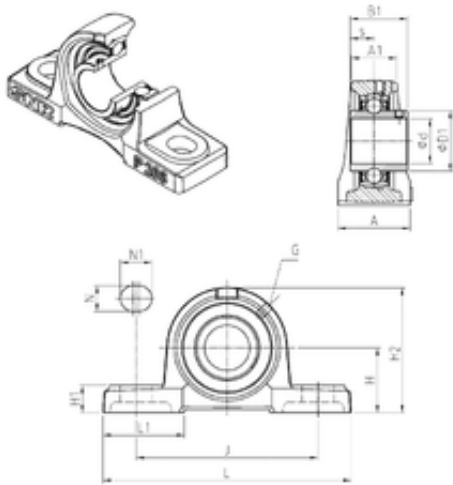




# BEARING DRIVESHAFT ANDERSON, INC.



## SNR UCP216 Bearing unit

Bearing No. UCP216

Bore Diameter	80 mm
d	80 mm
s	33,3 mm
A	78 mm
A1	51 mm
B1	82,6 mm
D1	98 mm
H	88,9 mm
H1	30 mm
H2	175 mm
J	232 mm
L	292 mm
L1	91 mm
N	25 mm
N1	31 mm
Thread (G)	M10x1
Weight	8,9 Kg
Basic dynamic load rating (C)	72,5 kN

UCP216 Bearing 2D drawings and 3D CAD models