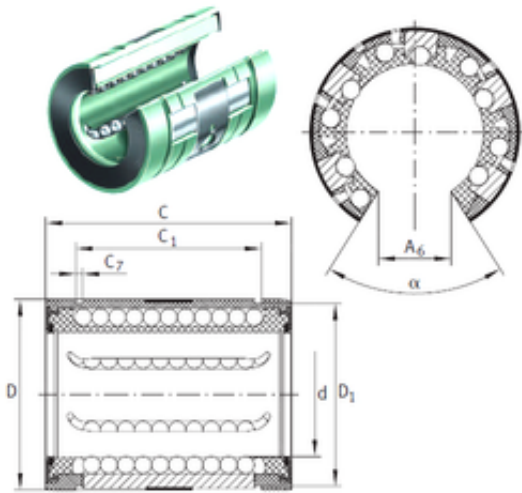




BEARING DRIVESHAFT ANDERSON, INC.

INA KNO 50 B-PP Linear bearing

Bearing No. KNO 50 B-PP



KNO 50 B-PP Bearing 2D drawings and 3D CAD models

Size	50x75x100 mm
Bore Diameter	50 mm
Outer Diameter	75 mm
Width	100 mm
d	50 mm
D	75 mm
C	100 mm
A6	22,5 mm
H9	2,3 mm
H10	2,5 mm
K4	5 mm
b1	3 mm
Angle	54 °