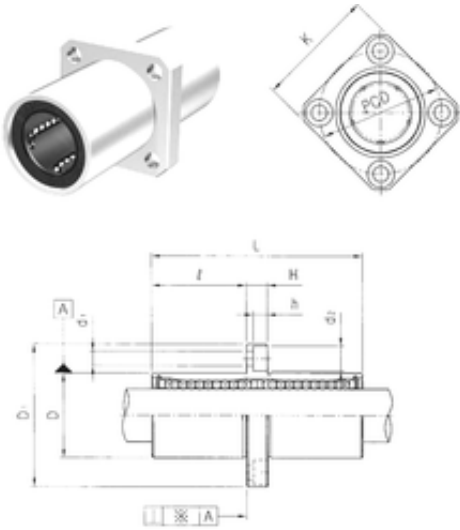




# BEARING DRIVESHAFT ANDERSON, INC.



LMEKM12 Bearing 2D drawings and 3D CAD models

## Samick LMEKM12 Linear bearing

Bearing No. LMEKM12

Bore Diameter	12 mm
Outer Diameter	22 mm
d	12 mm
D	22 mm
K	32 mm
d1	4,5 mm
d2	8 mm
h	4,4 mm
D1	42 mm
H	6 mm
L	57 mm
PCD	32 mm
	25,5 Tolerance h14
Tolerance perpendicularity (C)	15
Weight	0,1 Kg
Basic dynamic load rating (C)	0,65 kN