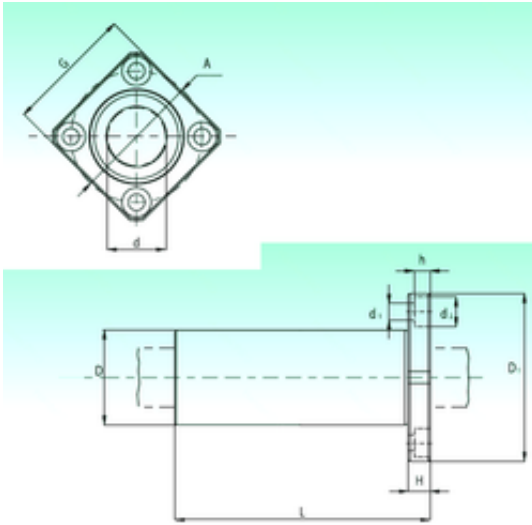




BEARING DRIVESHAFT ANDERSON, INC.



KBKL 20-PP Bearing 2D drawings and 3D CAD models

NBS KBKL 20-PP Linear bearing

Bearing No. KBKL 20-PP

Bore Diameter	20 mm
Outer Diameter	32 mm
d	20 mm
D	32 mm
d1	5,5 mm
d2	9,5 mm
h	5,4 mm
A	43 mm
D1	54 mm
G	42 mm
H	8 mm
L	80 mm
Weight	0,23 Kg
Basic dynamic load rating (C)	1,4 kN