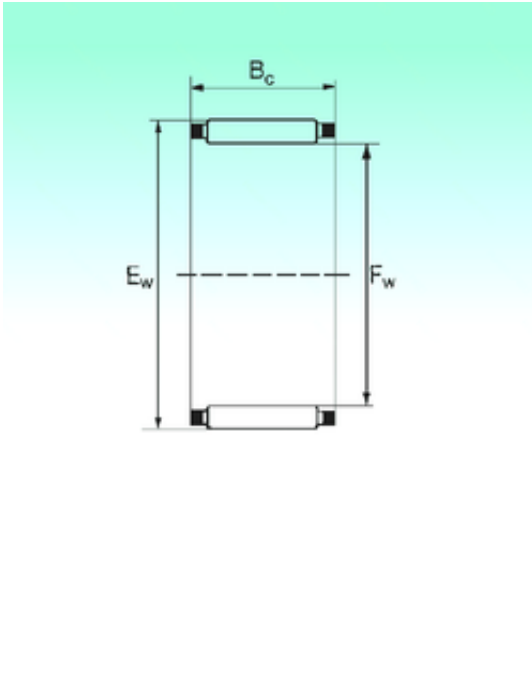




## BEARING DRIVESHAFT ANDERSON, INC.



### NBS K 5x8x8 TN Needle bearing

Bearing No. K 5x8x8 TN

Bore Diameter	5 mm
Outer Diameter	8 mm
Fw	5 mm
Ew	8 mm
Bc	8 mm
Weight	0,0007 Kg
Basic dynamic load rating (C)	2,3 kN
Basic static load rating (C0)	1,88 kN

K 5x8x8 TN Bearing 2D drawings and 3D CAD models