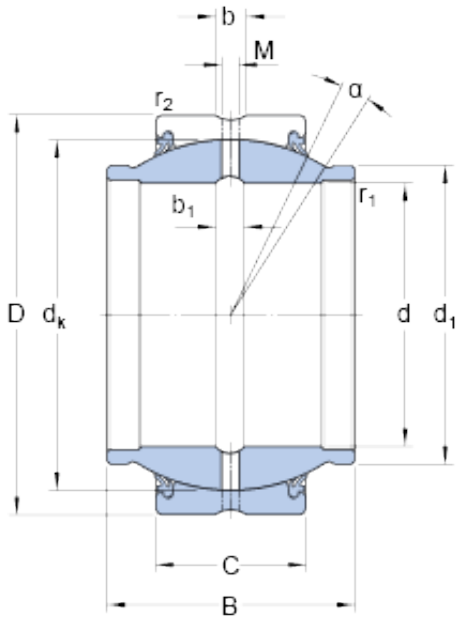




# BEARING DRIVESHAFT ANDERSON, INC.

38.1 mm x 61.913 mm x 57.15 mm SKF GEZM 108 ES-2RS Plain bearing

Bearing No. GEZM 108 ES-2RS



GEZM 108 ES-2RS Bearing 2D drawings and 3D CAD models

Size	61.913x38.1x57.15 mm
Bore Diameter	61,913 mm
Outer Diameter	38,1 mm
Width	57,15 mm
d	38.1 mm
D	61.913 mm
B	57.15 mm
C	28.575 mm
	5 °
d <sub>k</sub>	54.737 mm
d <sub>1</sub>	46.99 mm
b	4.8 mm
b <sub>1</sub>	5 mm
M	4 mm
r <sub>1</sub> - min.	1 mm
r <sub>2</sub> - min.	1 mm
d <sub>a</sub> - min.	43.3 mm
d <sub>a</sub> - max.	47 mm
D <sub>a</sub> - min.	52.3 mm
D <sub>a</sub> - max.	58 mm
r <sub>a</sub> - max.	1 mm
r <sub>b</sub> - max.	1 mm
Basic dynamic load rating - C	125 kN
Basic static load rating - C <sub>0</sub>	375 kN



## BEARING DRIVESHAFT ANDERSON, INC.

Specific factor dynamic load - K	100 N/mm <sup>2</sup>
Specific factor static load - K <sub>0</sub>	300 N/mm <sup>2</sup>
Constant - K <sub>M</sub>	330
Category	Spherical Plain Bearings - Radial
Inventory	0.0
Manufacturer Name	SKF
Minimum Buy Quantity	N/A
Weight / Kilogram	0.51
Product Group	B04264
Self Aligning	Yes
Rolling Element	Spherical Plain
Material - Outer Member	Steel
Material - Ball	Steel
Material - Liner	Not Applicable
Relubricatable	Yes
Enclosure	2 Seals
Other Features	2 Piece   Extended Inner Ring on Both Sides   Double Lip Seals   Lubrication Hole and an Annular Groove in Both Rings
Long Description	1-1/2" Bore; 1-1/8" Housing Width; 2-7/16" Outside Diameter; Steel Outer Member; Steel Ball; No Liner; 2-1/4" Overall Width; Relubricatable
Inch - Metric	Inch
Category	Plain Bearings Spherical Radial
UNSPSC	31171515
Harmonized Tariff Code	8483.30.80.70
Noun	Bearing



## BEARING DRIVESHAFT ANDERSON, INC.

Keyword 3	Spherical
Keyword String	Plain Spherical Radial
Manufacturer URL	<a href="http://www.skf.com">http://www.skf.com</a>
Manufacturer Item Number	GEZM 108 ES-2RS
Weight / LBS	1.13
Housing Width	1.125 Inch   28.575 Millimeter
Overall Width	2.25 Inch   57.15 Millimeter
Bore	1.5 Inch   38.1 Millimeter
Outside Diameter	2.438 Inch   61.925 Millimeter
bore diameter:	1.5000 in
outer ring width:	1.1250 in
outside diameter:	2.4375 in
grade:	Commercial/Industrial
misalignment angle:	5 °
overall width:	2.2500 in
inner ring width:	2.2500 in
radial static load capacity:	84303 lbf
bearing type:	Radial
radial dynamic load capacity:	28101 lbf
lubrication type:	Requires Lubrication
operating temperature range:	-30 to +130 ° C ° F
closure type:	Sealed
weight:	1.12 lbs
outer ring material:	Chrome Steel
manufacturer product page:	<a href="#">Click here</a>
inner ring material:	Chrome Steel
manufacturer upc number:	7316577054517
Lubricant	Regular relubrication – grease
Design (sliding contact	Steel/steel



## BEARING DRIVESHAFT ANDERSON, INC.

surface combination)	
Sealing solution	Double-lip seals
	5 °
$d_k$	54.737 mm
$d_1$	46.99 mm
$b_1$	5 mm
$r_1$ min.	1 mm
$r_2$ min.	1 mm
$d_a$ min.	43.3 mm
$d_a$ max.	47 mm
$D_a$ min.	52.3 mm
$D_a$ max.	58 mm
$r_a$ max.	1 mm
$r_b$ max.	1 mm
Basic dynamic load rating C	125 kN
Basic static load rating $C_0$	375 kN
Specific dynamic load factor K	100 N/mm <sup>2</sup>
Specific static load factor $K_0$	300 N/mm <sup>2</sup>
Material constant $K_M$	330
Mass plain bearing	0.51 kg