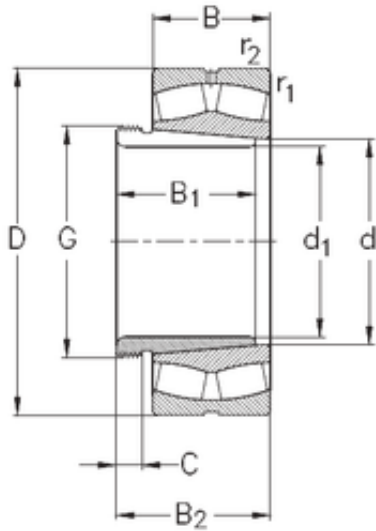




BEARING DRIVESHAFT ANDERSON, INC.



200 mm x 420 mm x 138 mm NKE 22340-K-MB-W33+AH2340 Spherical roller bearings

Bearing No. 22340-K-MB-W33+AH2340

22340-K-MB-W33+AH2340 Bearing 2D drawings and 3D CAD models

Size	200x420x138 mm
Bore Diameter	200 mm
Outer Diameter	420 mm
Width	138 mm
d	200 mm
d1	190 mm
D	420 mm
B	138 mm
C	138 mm
r1 min.	5 mm
r2 min.	5 mm
B1	170 mm
B2	177 mm
C	30 mm
Thread (G)	Tr 220x4
Weight	106,9 Kg
Basic dynamic load rating (C)	1820 kN
Basic static load rating (C0)	2650 kN
Limiting speed	1500 r/min
Calculation factor (e)	0,36
Calculation factor (Y0)	1,8
Calculation factor (Y1)	1,9