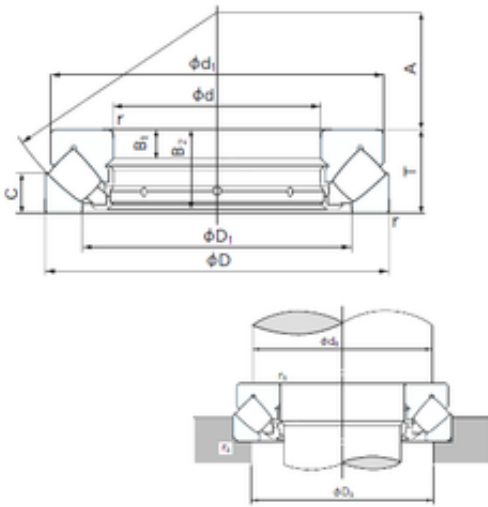




BEARING DRIVESHAFT ANDERSON, INC.



460 mm x 800 mm x 74 mm NACHI 29492E Thrust roller bearings

Bearing No. 29492E

29492E Bearing 2D drawings and 3D CAD models

Size	460x800x206 mm
Bore Diameter	460 mm
Outer Diameter	800 mm
Width	206 mm
d	460 mm
D	800 mm
T	206 mm
d1	765 mm
r min.	9.5 mm
A	272 mm
B1	74 mm
B2	199 mm
C	100 mm
D1	608 mm
da min.	615 mm
Da max.	690 mm
ra max.	8 mm
Weight	435 Kg
Basic dynamic load rating (C)	7150 kN
Basic static load rating (C0)	31500 kN
Bore Type	Cylindrical Bore
Enclosure	Open
Configuration	Single Row
Bore Size	460 mm
Outside Diameter	800 mm



BEARING DRIVESHAFT ANDERSON, INC.

Fillet Radius/Chamfer	9.5 mm
Width	206 mm
Dynamic Load Rating	7,150,000 N
Static Load Rating	31,500,000 N
Limiting Speed - Oil	290 rpm
B	74 mm
da (min)	615 mm
Da (max)	690 mm
ra (max)	8 mm